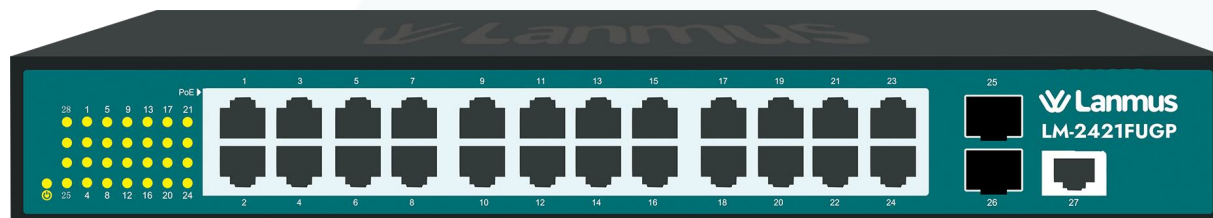


## LM-2421FUGP

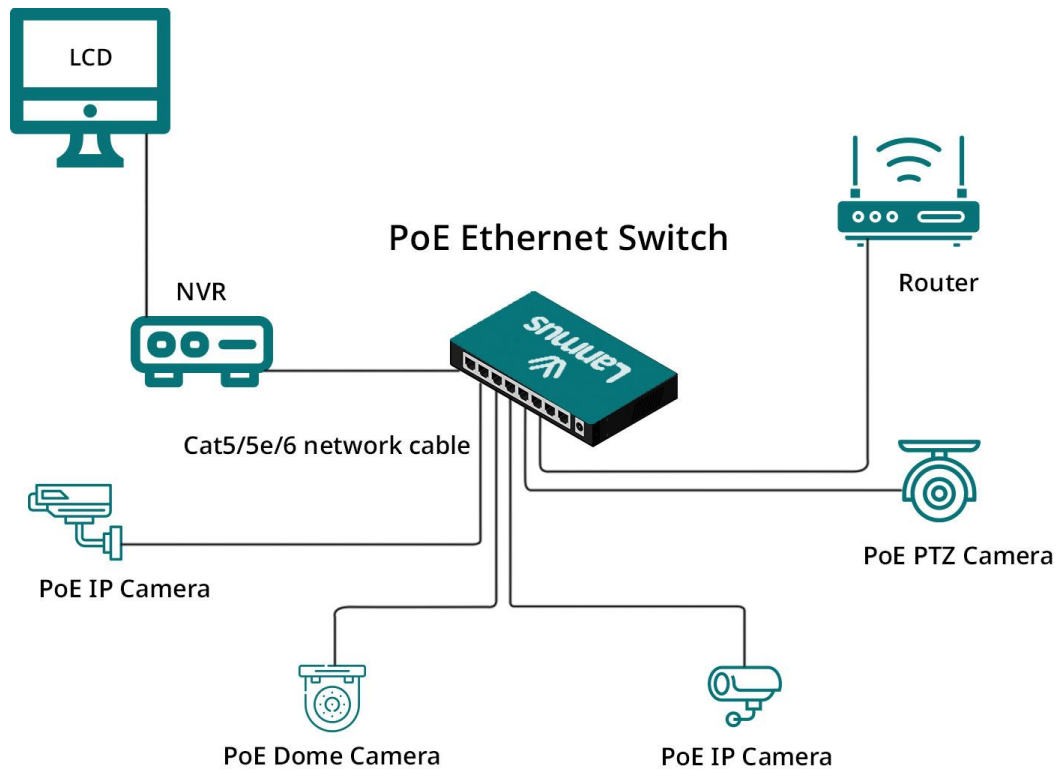


## INTRODUCTION

27 ports PoE Ethernet Switch is a security surveillance Ethernet Switch which aims at Ethernet high definition surveillance and security system. The product fully combines the characteristics of security surveillance, provides fast packet forwarding ability and abundant backplane bandwidth, which ensures clear image and fluent transmission. ESD and surge protection circuit can improve product stability. The product supports one key CCTV model, with VLAN function can restrain the network storm, protect the information security, prevent the viral transmission and cyber attack, fully satisfy the Ethernet video security surveillance system and Ethernet project needs.

- 24 downlink 10/100/1000Base-T PoE Ethernet ports
- 2 uplink 10/100/1000Base-T Ethernet uplink ports
- 1 uplink 1\*1000 Base-X SFP optical port
- Single port power supply 15.4w, maximum port power 30w, total machine power 370w
- I Power Input:DC 52V/5.76A ;
- I Standard: IEEE802.3 、 IEEE802.3u、 IEEE802.3X、 IEEE802.3ab
- I Protection: Superior lightning protection(6KV), ESD protection and anti-interference ability;
- I Structure: stable and delicate, easy to install;
- I Operation: plug and play, no any settings needed.

## APPLICATION



## SPECIFICATION

Model	LM-2421FUGP
Downstream Ports	24*10/100/1000Base-T (PoE)
Uplink Ports	2*10/100/1000 Base-T RJ-45 ; 1*1000 Base-X SFP
Network Standard	IEEE802.3 、 IEEE802.3u、 IEEE802.3X、 IEEE802.3ab
Switch Capacity	54Gbps
Throughput	40.176Mpps
Switch Processing Scheme	Store and Forward



# LM-2421FUGP

Memory Buffer	4M
MAC Table	8K
PoE Standard	802.3af/at(PSE)
PsE Type	End-span
Power Pin Assignment	1/2( +), 3/6(-)
PoE Power Output	Single port power 15.4W, maximum port power 30W
PoE Total Power	360W
Lightning protection	6KV Execute : IEC61000-4-5
ESD	6KV Contact discharge 8KV Air discharge Execute : IEC61000-4-2
Power Supply	52V/5.76A
Power Dissipation	<20W
Work temperature	-20°C~55°C
Storage temperature	-20°C~75°C
Humidity(Non-condensin)	5%-95%
Dimension (L ×W × H )	310mm*210mm*44mm



# LM-2421FUGP

Regulator	CE、FCC、ROHS
-----------	-------------

Content	Qty
27-port 10/100/1000M PoE Ethernet switch	1 unit
Power line	1 article
User Guide	1 book
Warranty Card	1 sheet