

LM-402UGP



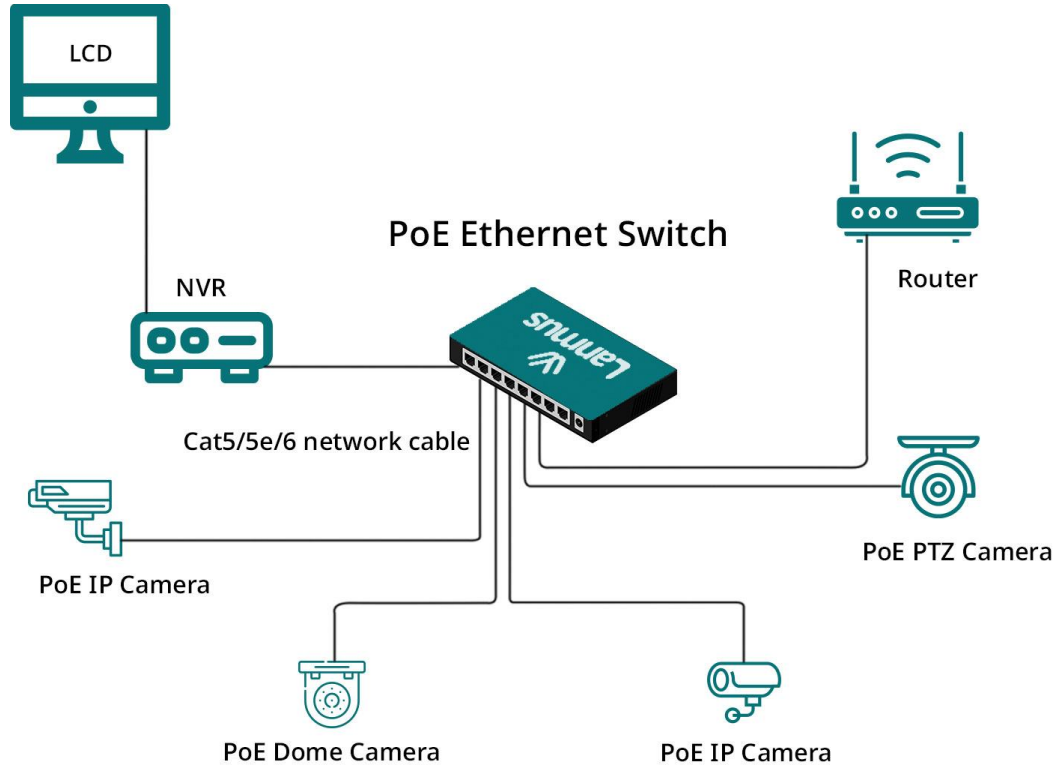
INTRODUCTION

6 ports PoE Ethernet Switch is a security surveillance Ethernet Switch which aims at Ethernet high definition surveillance and security system. The product fully combines the characteristics of security surveillance, provides fast packet forwarding ability and abundant backplane bandwidth, which ensures clear image and fluent transmission. ESD and surge protection circuit can improve product stability. The product supports one key CCTV model, with VLAN function can restrain the network storm, protect the information security, prevent the viral transmission and cyber attack, fully satisfy the Ethernet video security surveillance system and Ethernet project needs.

- 4 downlink 10/100/1000Base-T PoE Ethernet ports
- 2 uplink 10/100/1000Base-T Ethernet uplink ports
- Power adapter: 52V1.25A 65w (built-in power supply)
- Single port power supply 15.4w, maximum port power 30w, total machine power 65w
- I Power Input:DC 52V1.25A ;
- I Standard: IEEE802.3 、 IEEE802.3u、 IEEE802.3X、 IEEE802.3ab
- I Protection: Superior lightning protection(6KV), ESD protection and anti-interference ability;
- I Structure: stable and delicate, easy to install;
- I Operation: plug and play, no any settings needed.

LM-402UGP

APPLICATION



SPECIFICATION

Model	LM-402UGP
Downstream Ports	4*10/100/1000Base-T (PoE)
Uplink Ports	2*10/100/1000Base-T
Network Standard	IEEE802.3、IEEE802.3u、IEEE802.3X、IEEE802.3ab
Switch Capacity	12Gbps
Throughput	8.93Mpps
Switch Processing Scheme	Store and Forward

LM-402UGP

Memory Buffer	1M
MAC Table	2K
PoE Standard	802.3af/at(PSE)
PsE Type	End-span
Power Pin Assignment	1/2(+), 3/6(-)
PoE Power Output	Single port power 15.4w, maximum port power 30w
PoE Total Power	65w
Lightning protection	6KV Execute : IEC61000-4-5
ESD	6KV Contact discharge 8KV Air discharge Execute : IEC61000-4-2
Power Supply	DC:52V1.25A
Power Dissipation	<5w
Work temperature	-20°C~55°C
Storage temperature	-20°C~75°C
Humidity(Non-condensin)	5%-95%
Dimension (L xW x H)	195mm×130mm×40mm

LM-402UGP

Regulator	CE、FCC、ROHS
-----------	-------------

Content	Qty
6-port 10/100/1000M PoE Ethernet switch	1 unit
power line	1 article
User Guide	1 book
Warranty Card	1 sheet